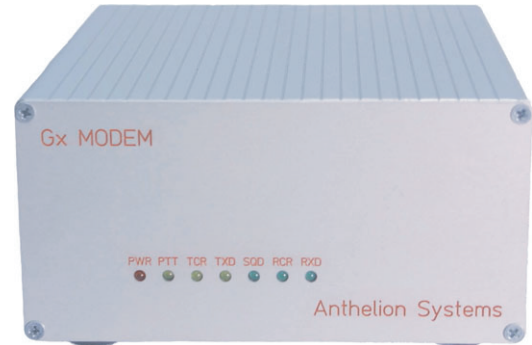


## G x M O D E M

### Basic Modem Features

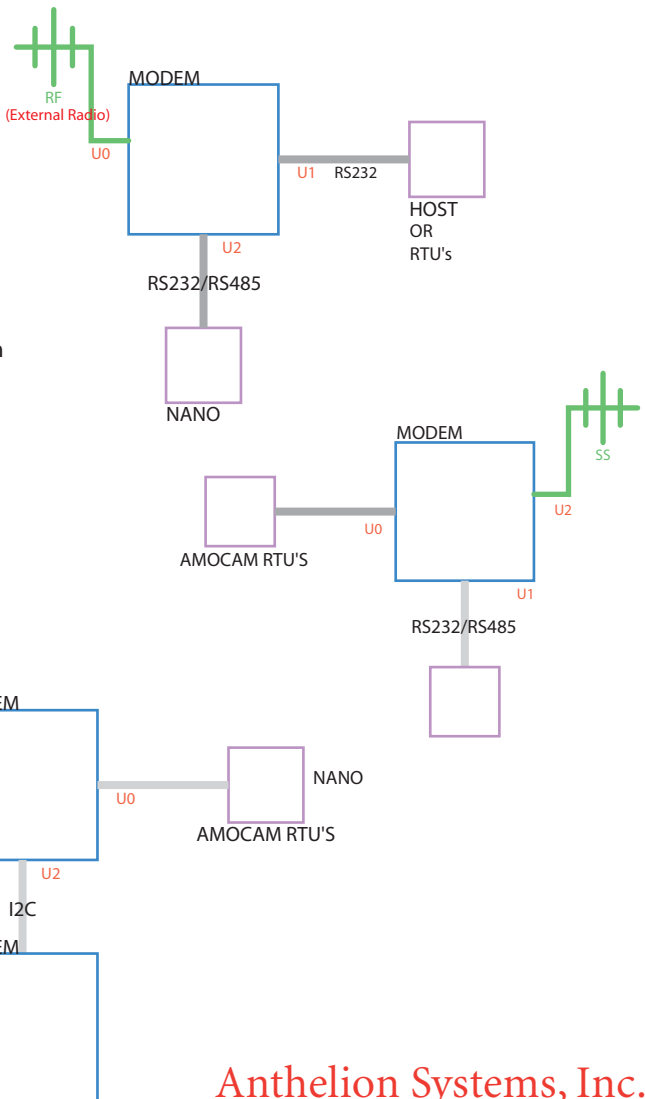
- FSK Tone Modem - Frequency Options, Bell 103, Bell 202, Amocams Frequencies.
- Data Rates - 300, 600 and 1200 bits per second
- 4-wire Leased Line and Radio Interface
- Full RS232/Host Handshake (CTS / RTS / DCD / DSR / DTR)
- Unix/Linux/Windows Compatible
- Diagnostic LED's
- Amocams/Bristol Babcock AI-830 Compatible



### Smart Modem Features

This version of the Modem incorporates a high speed microprocessor to handle various types of communications. This feature enables you to use the current legacy RTU's and also use latest RTU's that utilizes ModBus or other proprietary protocols. The following additional features will be available,

- Self-test mode to simplify modem tuning
- Speed buffering (up to 19.2 Kbps)
- Radio keying on data activity for devices without radio interface
- Optional 3rd serial port - RS232 or RS485
- Optional Spread Spectrum Radio (100 mw, 900 MHz / 2.4 GHz, 20 mile range)
- Optional end to end over the air security using Blowfish Symmetric Encryption (requires Gx Modem at both ends)
- Smart Scanner Option with protocol support for Modbus RTU
- Amocam 300/600, Hex Repeater, AI-NET
- Bit Oriented Protocols (F&M, Hydril, Harris, Honeywell, FMC, Pert 26/31)
- Custom Protocols
- 512K battery backed SRAM
- 1K EEPROM (for non-volatile parameter storage)
- Real time clock
- Dual watch dog timers for enhanced reliability



### Specifications

- OEM version (no enclosure) or with enclosure / AC Adapter.
- Commercial or Industrial Temperature versions.
- Power Requirements, various options from 8 VDC to 72 VDC.
- DB9 RS232 interface.
- Enclosure option, 5 1/2" W X 6" L X 3" H.
- Two piece Terminal Blocks for Power & External Radio.

Anthelion Systems, Inc.



2825 Wilcrest, Suite 550  
Houston, Texas 77042  
(713) 339-4455  
www.anthelion.com  
sales@anthelion.com