

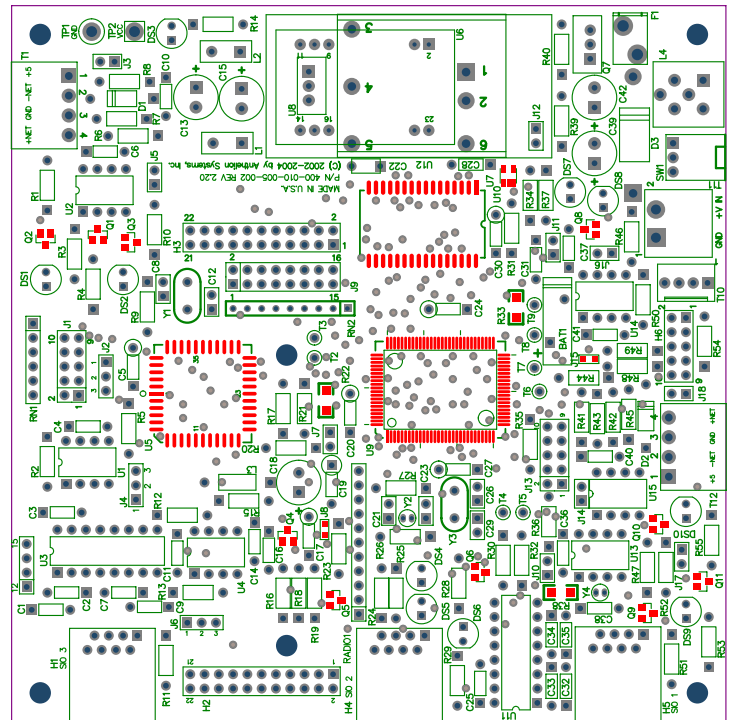
# Anthelion Systems, Inc.

## Gx Scanner

The Gx Scanner will scan smart devices, which includes: RTU's, NANO Cards, Flow Devices and others. It could be used as a communication bridge to facilitate communication between various smart devices with different protocols. The predefined devices are scanned and data is saved in the internal battery backed memory. The Host scanner in turn scans the Gx Scanner to retrieve the previously collected data. The Gx Scanner has 5 communication ports: one permanent RS485, one RS485/RS232 and two RS232 and one I2C.

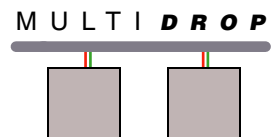
### Specifications:

- Designed for Low Power Operation
- Low Power 16 Mhz, 16/32 Processor
- Dual Watchdog timer (Internal/External)
- Dual VCC/Brown Out monitoring
- Real time clock (battery backed)
- 512K static RAM (battery backed)
- Two R485 ports
- Two RS232 ports
- One I2C port
- ON/OFF toggle switch
- Spread spectrum radio option
- Battery backup
- 512 bytes EEPROM
- 256K Flash (firmware)
- External System Timer
- Various system status LED's
- Builtin DC/DC converter (9-18 or 18-36 VDC)
- Power Consumption 1.1 Watts
- Input power filter
- Input power protection (fuse, reverse, MAX)
- Operating temperature -20° to 70° C
- Size: 5" x 5"



### Recommended Applications:

- Low power RTU
- ModBus Scanner and Concentrators
- Wireless data logging
- Protocol Bridge (Amocam's to Modbus)
- Security Systems
- Wireless communication repeaters



LOW COST HIGH PERFORMANCE DISTRIBUTED SYSTEM SOLUTION.

Anthelion Systems, Inc.



1718 Fry Rd., Suite 420  
Houston, Texas 77084  
Voice: 218-698-8031  
[www.anthelion.com](http://www.anthelion.com)  
[support@anthelion.com](mailto:support@anthelion.com)