

Anthelion Systems, Inc.

Nano Power Controller Smart Card

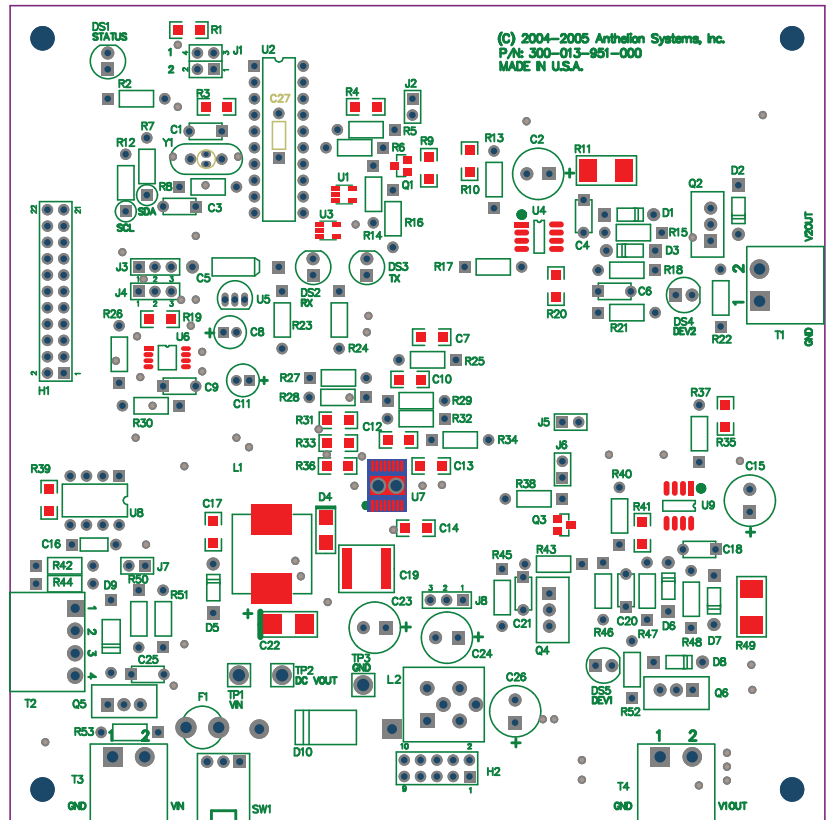
The next generation of low cost, high performance, data acquisition products are now available from Anthelion Systems. The Nano series will solve your company's cost and performance dilemmas.

Our "smart" devices utilize the latest technology in Micro controllers. They provide a great balance between price and performance. The cards were designed to withstand harsh environments with the result being outstanding durability, reliability and accuracy. They utilize the standard ModBus binary protocols for communication to allow for their data to be retrieved by standard off the shelf Data Acquisition Software.

The Nano Power Controller is our latest addition to the Nano Series. It is a ModBus device. The ModBus registers are used for configuration. The sleep time is up to 65,535 minutes and the run time is up to 65,535 minutes. In the sleep mode the controller card draws only 30 microamps.

This Nano card is a ModBus device with a RS485 port for all communication to the card. The controller card has an on board Watchdog Timer and Brown Out protection. This system is low power and high performance.

A low power industrial PC is also available to scan the controller cards and archive the data based upon user configuration. Please contact Anthelion Systems for a solution to fit your company's growing needs.



Operating temperature: -20 to 70°C

Size: 4" X 4"

Power: Input 7-18 DC; Output 5V @ 1.5 amp (76% efficiency)

Communication: Modbus 9600, N, 8, 1



LOW COST HIGH PERFORMANCE DISTRIBUTED SYSTEM SOLUTION.

Anthelion Systems, Inc.



1718 Fry Rd., Suite 420
Houston, Texas 77042
Voice: 281-698-8031
www.anthelion.com
support@anthelion.com